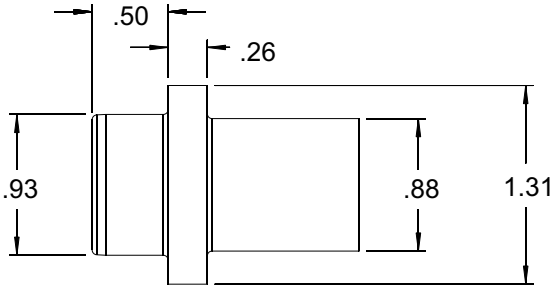
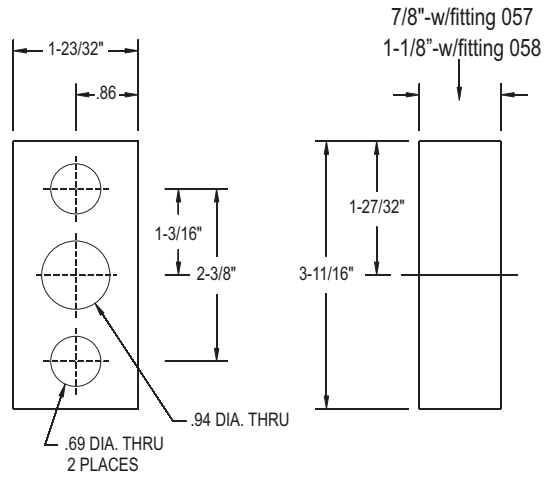




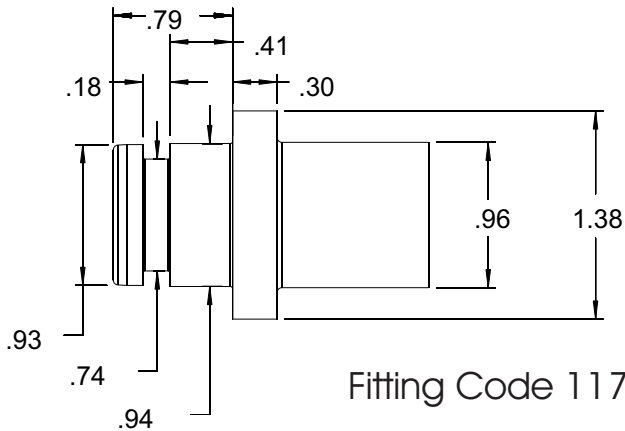
Common High Pressure Fitting



Fitting Code 056 Homogenizer (less flange),
 057 Homogenizer (7/8" flange),
 058 Homogenizer (1-1/8" flange)

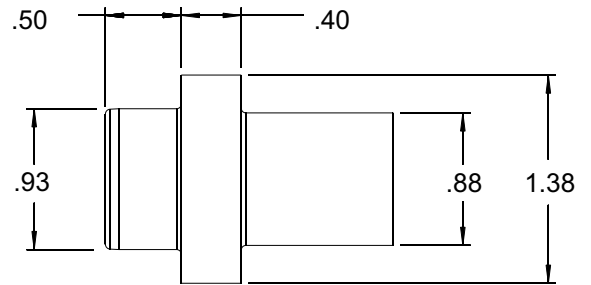


APV/Rannie



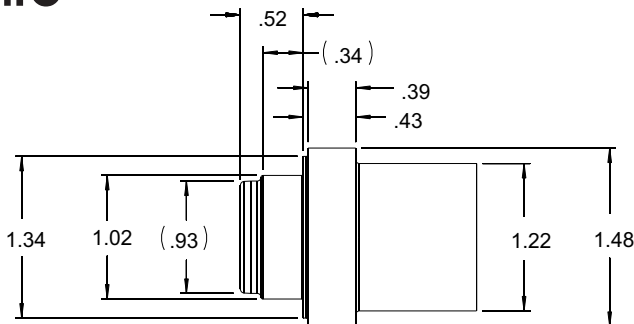
Fitting Code 117

Tetra Pak & Bran & Luebbe



Fitting Code 118

Niro



Fitting Code 157

All dimensions in inches