

# AJ-300 Recorder/Recording Controller

## Introduction

The AJ-300 family of recorders and recording controllers is designed specifically for sanitary fluid processing applications. Available in single or dual pen versions, these units record on the largest charts in the industry for maximum resolution and readability, easily meeting all health-code requirements. The housing unit withstands high humidity environments and frequent "wash-downs". The case is designed for surface or panel mounting.

Universal inputs are factory or field programmable via the front keypad using a user-friendly menu. Relay and 4-20mA outputs are modular for maximum cost effectiveness. A 24Vdc loop supply is available which powers one or two transmitters. Of course, the 4-20mA outputs are fully isolated to insure freedom from ground loop problems when interfacing with additional instrumentation.

Either or both pens can be specified with full PID control including auto/manual control, and remote setpoint capability.

For virtually any one or two pen application, the AJ-300 provides the optimum solution. Combined with Anderson-Negele's sanitary sensors and applications expertise, it's the only solution you'll need.

## Features

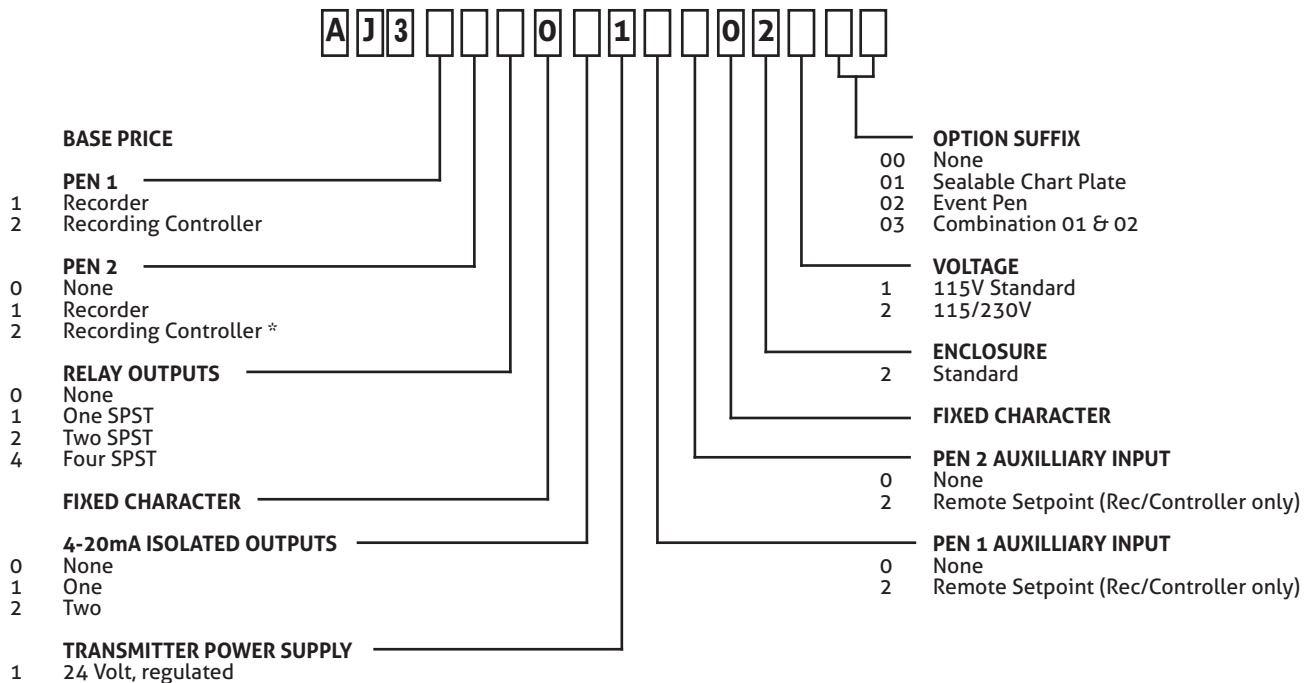
- 12" chart for maximum readability and accuracy
- Modular relay and 4-20mA output options
- Universal, field selectable input type
- Simple Keypad Programming
- 3 Year Warranty



**Specifications**

<p>Ambient Temperature: 0-55°C (32° to 131°F) (operating) -40 to 65°C (-40° to 149°F)(storage)</p> <p>Humidity: 0-100% RH, non-condensing</p> <p>Vibration: 0.5 Hz to 100 Hz at 0.2 G</p> <p>Voltage: 115 VAC standard</p> <p>Frequency: 50/60 Hz</p> <p>Power: 25 VA max.</p> <p>Case/Cover Material: Foam injected Noryl, Lexan window</p> <p>Mounting: Wall/Panel standard; optional pipe mount</p> <p>Panel Cut-out: 12.7" X 12.7"</p> <p>Overall dimensions: 16.77" H X 14.12" W X 5.25" Panel depth (2.5" panel protrusion)</p> <p>Weight: 20 lbs. max.</p> <p>Agency Approvals: UL/CUL listed</p> <p>Inputs: Programmable for 100 ohm, 3-wire RTD; 4-20mA; 0-5 Volt; 1-5 Volt; and J,K,E,T,R,S,B, and N thermocouples</p> <p>Pen Type: Disposable felt-tip pens #1 red, #2 green</p> <p>Recording Accuracy: 0.5% of chart span</p> <p>Chart Rotation: 0.1 to 999.9 hours</p>	<p>Displays: .56" high LED's; 1 per pen</p> <p>Relay Outputs: Up to four outputs (2 per pen max.) SPST, 5 amps at 115 VAC, resistive.</p> <p>Current Outputs: Up to (2) 4-20 mA isolated outputs; 0.25% of span accuracy; 650 ohms max. loop resistance.</p> <p>Transmitter Power Supply: 24 VDC, 40 mA minimum, can drive one or two inputs.</p> <p>Event Pen: Optional, 110 Volt, externally triggered. Internal trigger via one optional relay output.</p> <p>Proportional Band: 1 to 3000 units</p> <p>Manual Reset: -1500 to 1500 units</p> <p>Auto Reset (Integral): 0.0 to 100.0 repeats/minute</p> <p>Rate (Derivative): 0.0 to 10.0 minutes</p> <p>Control Action: Field selectable, direct or reverse</p> <p>Anti-Reset Wind-Up: Integral disabled when process is outside proportional band.</p> <p>Auto/Manual: "Bumpless" Transfer</p> <p>Warranty: 3 years</p>
---	--

**Order Information**



\* Pen 2 available as recording controller, only if Pen 1 is recording controller.