



Product Information - Thermowells

LIFE SCIENCES

Thermowells

Introduction

Sanitary Clamp Type, also known as bi-metal wells, are designed for use with any 1/4" diameter probe having a 1/2" NPT threaded connector. This includes bi-metal thermometers, RTD's and temperature transmitters. Special thermowells for smaller diameter probes are also available for fractional size lines. Additional features include 316L grade material, with electropolished finish. The Sanitary Projectile Type thermowell is designed to be welded into process and storage vessels and accept a variety of mechanical and electronic sensors. These sensor fittings are specially designed to provide metal-to-metal contact for fast response. They are provided with permanently etched "heat" numbers providing material and traceability. Material certificates are available at no extra charge.

Specifications

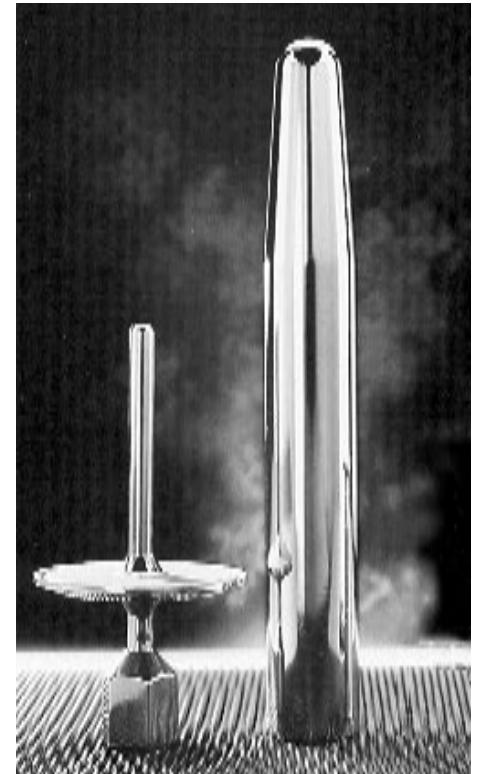
SANITARY CLAMP TYPE

Material: 316 "L" stainless steel (certificates available)
 Finish: Ra Max= 8 microinches (.2 microns)

Tri-Clamp Size®	Insertion	Model Number
1-1/2 inches	3-1/16 inches	52500A0003
2 inch	3-9/16 inches	52501A0005
2-1/2 inch	3-9/16 inches	52501A0006
3 inches	3-13/16 inches	52502A0005
4 inches	3-13/16 inches	52502A0006

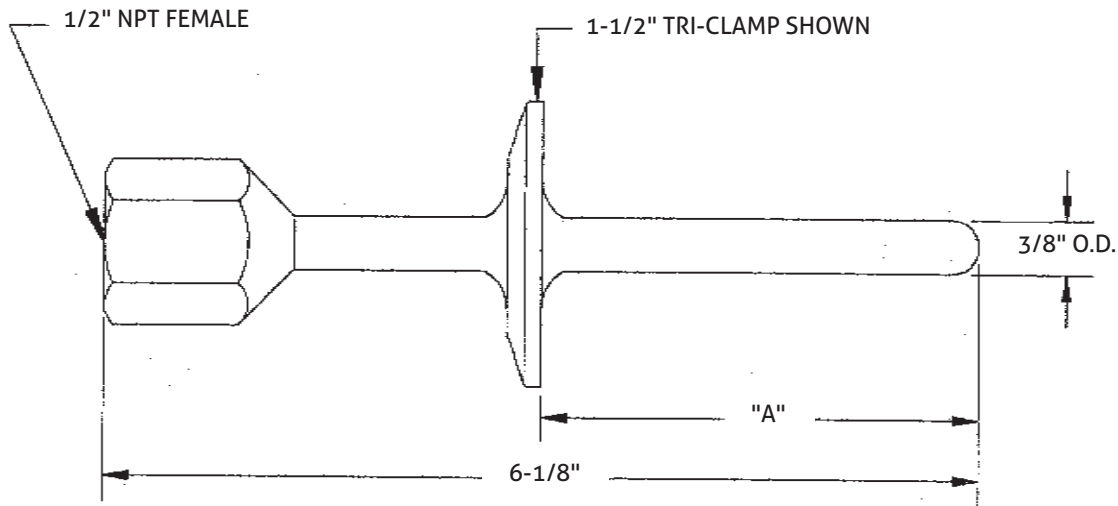
SANITARY PROJECTILE TYPE MODEL 41247A0002

Material: 316 "L" stainless steel
 Internal Thread: 1-1/4 inches x 18 UNEF
 Finish: Ra Max = 8 microinches (.2 microns) electropolished
 Probe Type: Accepts probe type 062-139



Thermowell Dimensions

**Pharmaceutical Wells: 1.5" - 4" Tri-Clamp
"A" Dim. (insertion length) varies with fitting**



Tri-Clamp Size	Insertion
1-1/2 inches	3-1/16 inches
2 inch	3-9/16 inches
2-1/2 inch	3-9/16 inches
3 inches	3-13/16 inches
4 inches	3-13/16 inches

**Pharmaceutical Projectile Thermowell
Model 41247A0002**

