

“IZMAG” Electromagnetic Flowmeter

Introduction

The IZMAG is Anderson-Negele’s next generation of electromagnetic flow meter. Building on the qualities that have made it’s predecessor, the IZMS meter, the industry standard in accuracy and longevity, the IZMAG incorporates new design and performance features that allow the IZMAG to excel in the most demanding sanitary processing environment.

From the outside, one will recognize that a compact, all stainless steel housing now provides the highest level of protection from the cleaning chemicals and environmental extremes present in food processing facilities. A standard backlit graphic display provides the metering information not only as numbers and text but also has the ability to display images. By using images along with text a more intuitive feel to navigation is achieved making the programming experience quicker and simpler. On the inside a PFA liner offers increases in pressure, temperature and vacuum capability. This new liner gives the IZMAG the ability to satisfy an expanded list of high temperature and aseptic applications .

In addition to the other features the flow meter has a compact overall size allowing installation into tight fitting applications without a sacrifice in measurement performance.

Complete specifications and ordering information are available on the reverse side. For more information please visit our website at www.anderson-negele.com or contact your local authorized Anderson-Negele distributor.



Authorizations



Features

- $\pm 0.20\%$ accuracy
- Compact design fits challenging applications
- Stainless steel housing suitable for all processing environments
- 3-A compliant; Third party verified in accordance with standard 28-04

Applications

- Milk
- Cream
- Beer
- Tomato Paste
- Sauces
- Molasses
- Yogurt
- Slurries
- Concentrates
- Cleaning solutions

Specifications

PERFORMANCE

Accuracy: ± .20% of rate* (* ± 1 mm/sec)

| Size | Operational Flow Range gal/min | Flow Range ltr/min |
|------|--------------------------------|--------------------|
| 10 | 0.14 - 14 | 0.53 - 53 |
| 15 | 0.3 - 30 | 1.13 - 113 |
| 25 | 0.8 - 80 | 3.0 - 300 |
| 32 | 1.3 - 130 | 5.0 - 500 |
| 40 | 2-200 | 7.5-750 |
| 50 | 3 - 300 | 11.7 - 1166 |
| 65 | 5.2 - 525 | 20 - 2000 |
| 80 | 8 - 800 | 30 - 3000 |
| 100 | 12 - 1200 | 46 - 4667 |

OPERATING / ENVIRONMENTAL

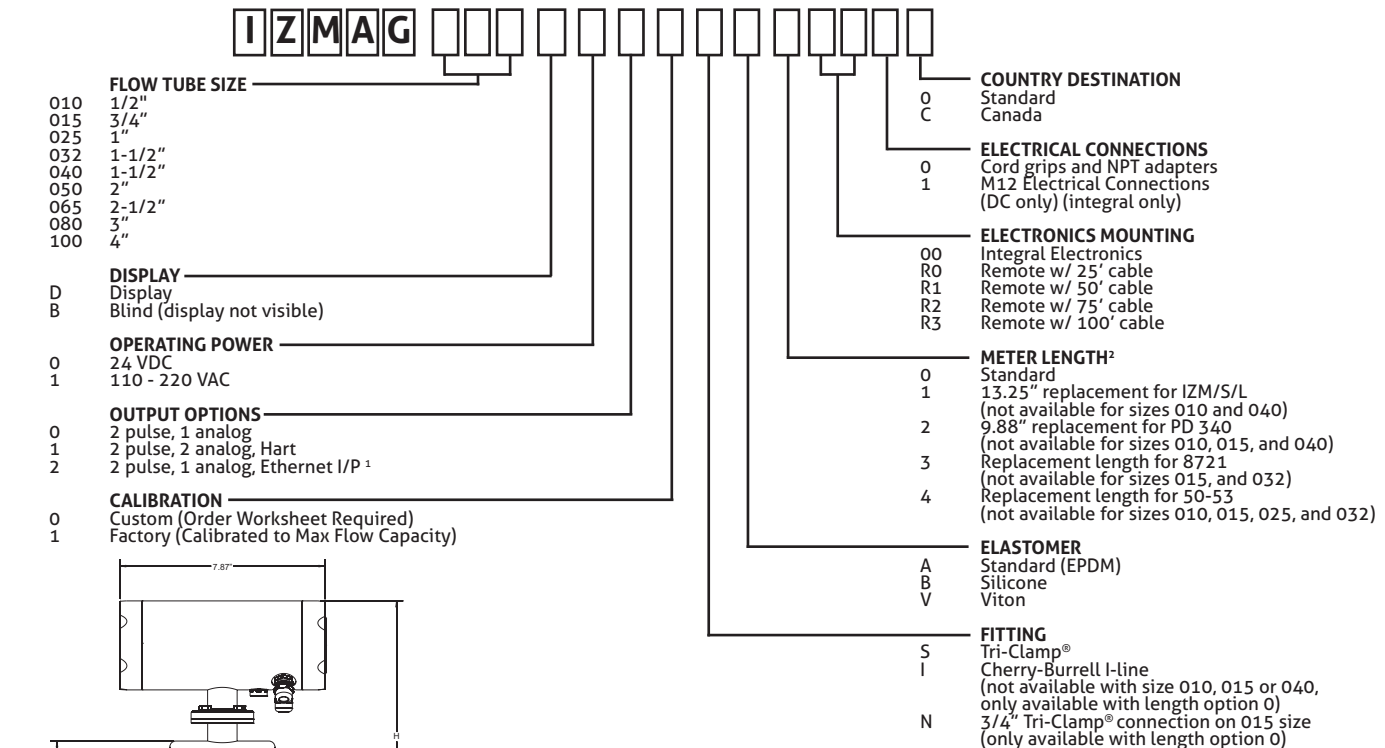
Process Temperature: 32-212°F (0-100°C) integral electronics
 32-325°F (0-163°C) remote electronics
 Ambient Temperature: DC -12 – 130°F(-25-55°C)
 AC -12 – 120°F(-25-45°C)
 Pressure Rating: 1.4-145 psi abs.
 .1 – 11 bar abs.
 Product Requirements: 5 µS min. conductivity
 15 µS/cm minimum for remote electronics

Approvals: CE(excluding ethernet), 3-A
MATERIALS / CONSTRUCTION
 Product Contact Surfaces: PFA 316L SS, EPDM, Silicone for temperature over 250°F, Viton
 Housing: 304 SS
 Enclosure Rating: IP 67
 Process Connection Type: Tri-clamp®, Cherry I-line

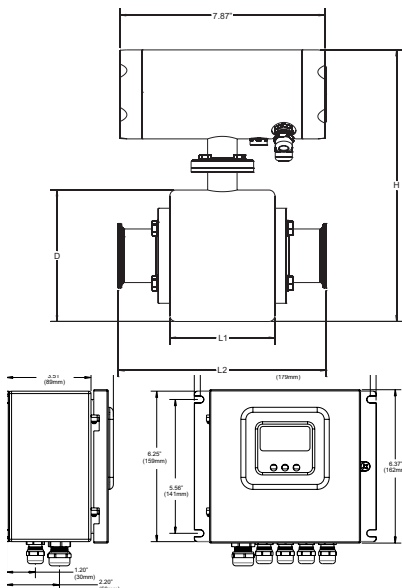
ELECTRICAL / POWER / SIGNAL

Power Requirement: 9-32 VDC 7W/V.A.
 100-240 VAC 50-60hz
 -15% / + 10% 7W/V.A.
 Signal Output:
 (2) digital pulse output 24VDC @20 mA
 (1) digital status output 24VDC @20 mA
 (1) 4-20mA passive/active Optional 2nd 4-20mA w/Hart (passive)
 Control Input:
 (1) 9-32 VDC R<3.2kohms
 Connections:
 (3) M16 ports with cord grips and ½" conduit adapters
 Display: Graphic LCD 46 X23mm illuminated
 Communications: Hart ver. 6, CS3 BUS Optional: Ethernet IP

Order Information



¹ available only on 24VDC
² Check length chart to confirm applicability



| DN | Flowtube | D | H | L1 | L2 | | | | Fitting Option | Weight (lbs) | |
|-----|----------|-------|--------|-------|--------|--------|-------|-------|----------------|--------------|------|
| | | | | | 0 | 1 | 2 | 3 | | | 4 |
| 010 | 1/2" | 3.54" | 8.86" | 4.09" | 6.75" | - | - | 8.31 | - | - | 14.4 |
| 015 | 3/4" | 3.54" | 8.86" | 4.09" | 8.00" | 13.25" | - | - | - | - | 14.4 |
| 025 | 1" | 3.54" | 8.86" | 4.09" | 8.00" | 13.25" | 9.88" | 7.85 | - | - | 14.6 |
| 032 | 1-1/2" | 4.13" | 9.45" | 4.09" | 8.00" | 13.25" | 9.88" | - | - | - | 17.0 |
| 040 | 1-1/2" | 4.13" | 9.45" | 4.09" | 8.00" | - | - | 8.17 | 10.91 | - | 17.0 |
| 050 | 2" | 5.12" | 10.43" | 4.09" | 8.00" | 13.25" | 9.88" | 8.60 | 10.91 | - | 19.8 |
| 065 | 2-1/2" | 5.12" | 10.43" | 6.30" | 9.00" | 13.25" | 9.88" | 9.43 | 10.91 | - | 25.3 |
| 080 | 3" | 6.10" | 11.42" | 6.30" | 9.88" | 13.25" | 9.88" | 10.18 | 13.27 | - | 37.4 |
| 100 | 4" | 6.69" | 12.01" | 7.87" | 11.90" | 13.67" | - | 11.70 | 13.27 | - | 50.5 |

05067 / 2.6 / 2022-03-04 / BK / NA

ANDERSON INSTRUMENT COMPANY
 156 Auriesville Road
 Fultonville, NY 12072

Phone 800-833-0081
 Fax 518-922-8997
 info@anderson-negele.com

Tech. Support:
 techservice@anderson-negele.com
 Phone 800-833-0081